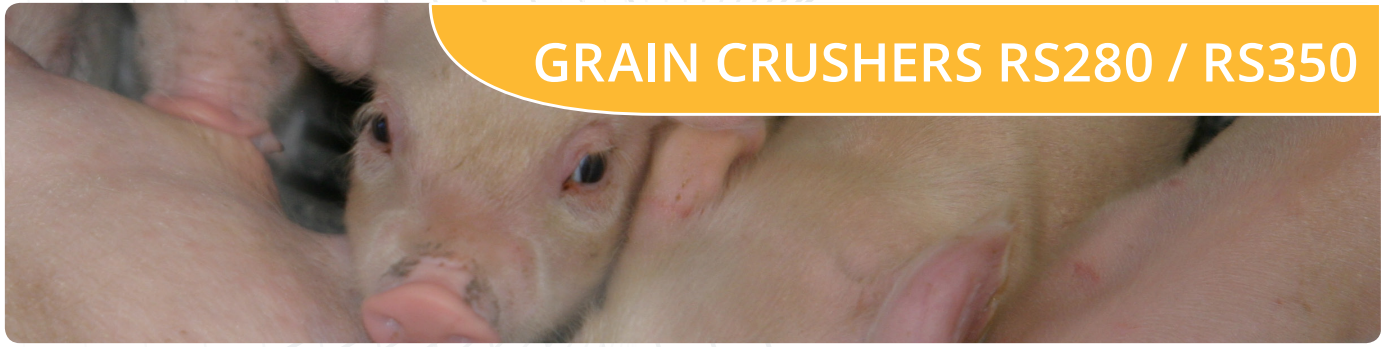




GRAIN CRUSHERS RS280 / RS350



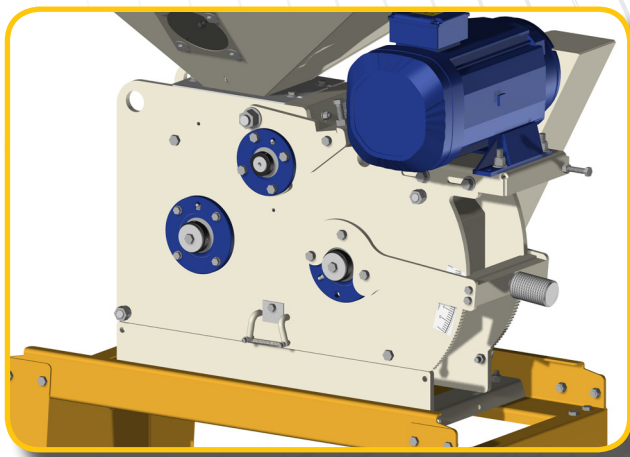
SKIOLD MAKES THE DIFFERENCE!

- Low power consumption
- Easy operation and adjustment
- Crushing of all usual raw materials
- Drive on two or three rollers
- Grooved cast iron pulley
- Frame mechanical-welded
- Efficient magnet separator at inlet
- Hopper 150 liters
- Adjustable by a hand gear
- Compact construction with optimal operation security

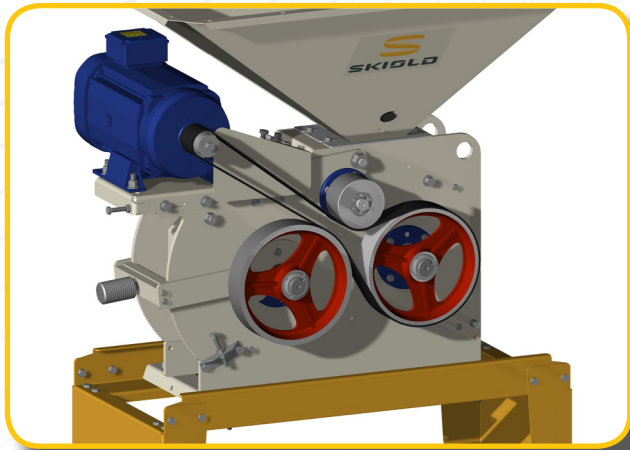


Item No.	
150 000 040 703	Grain crusher RS 280 - 5,5kW (without legs)
150 000 040 705	Grain crusher RS 280 - 7,5kW (without legs)
150 000 040 803	Grain crusher RS 350 - 5,5kW (without legs)
150 000 040 805	Grain crusher RS 350 - 7,5kW (without legs)
150 000 040 725	Frame on dampers for grain crusher RS280 - RS350
150 000 040 514	Control box for crusher 5,5kW - 160x75x125
150 000 040 518	Control box for crusher 7,5kW - 160x75x125
150 000 040 516	5,5kW Control box 250x175x100 - ammeter - auto-stop with
150 000 040 517	7,5kW sensor(with terminals to wire the motorized hatch)



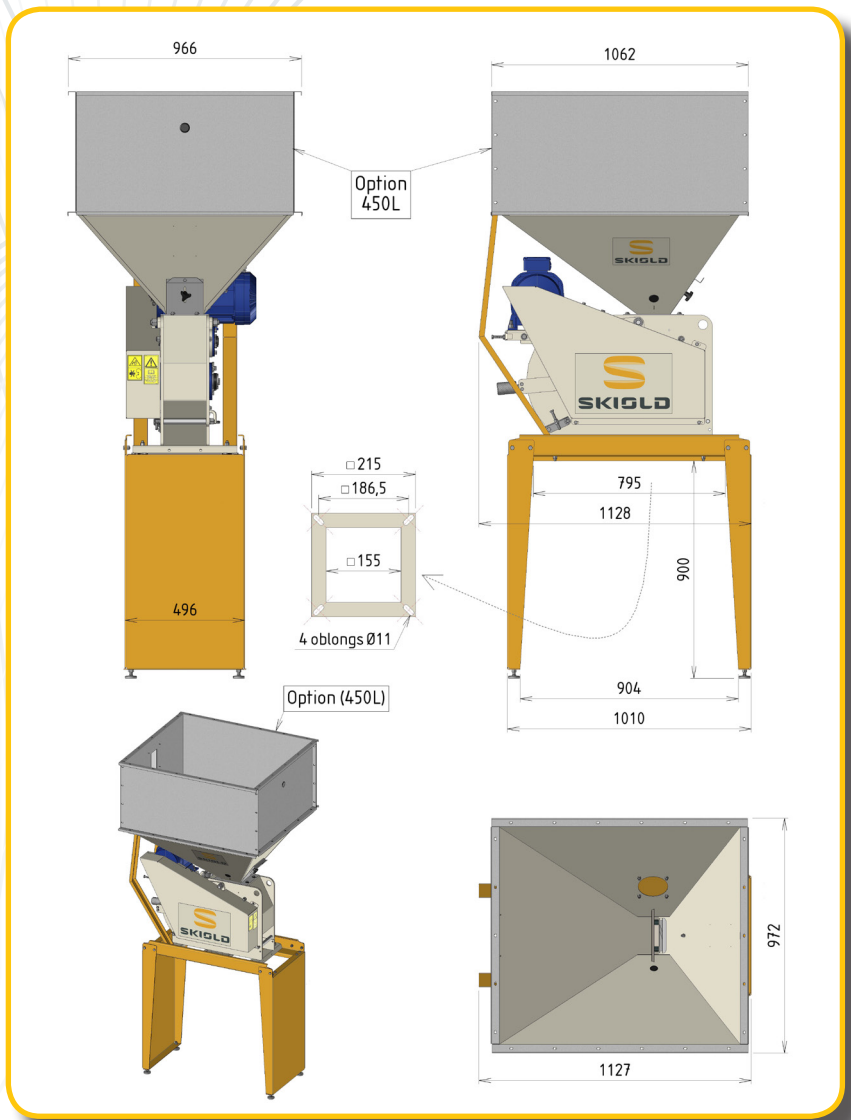


Easy operation and adjustment



Grooved cast-iron pulley

- 2 versions available: with or without frame feet
- 2 principal rollers: 1 smooth, 1 grooved



Capacities	RS280 - 5,5kW	RS280 - 7,5kW	RS350 - 5,5kW	RS350 - 7,5kW
Barley	900	1200	900	1200
Wheat	1300	1750	1300	1750
Oats	1000	1350	1000	1350
Maize	1100	1400	1100	1400
Peas	750	1000	750	1000

*The capacity depends on the humidity of the raw material and the required crushing degree

Technical specifications	RS280 - 5,5kW	RS280 - 7,5kW	RS350 - 5,5kW	RS350 - 7,5kW
Noise level (dBA)	91-96 dB	91-96 dB	91-96 dB	91-96 dB
Number of rollers	2	2	3	3
Diameter of rollers (mm)	312	312	130 - 312	130 - 312
Width of rollers (mm)	170	170	170	170
Motor 1500 rpm (kW)	5,5	7,5	5,5	7,5
Weight with motor (kg)	310	320	325	335
Weight with motor & legs (kg)	335	345	370	380
Magnet in inlet	Yes	Yes	Yes	Yes

