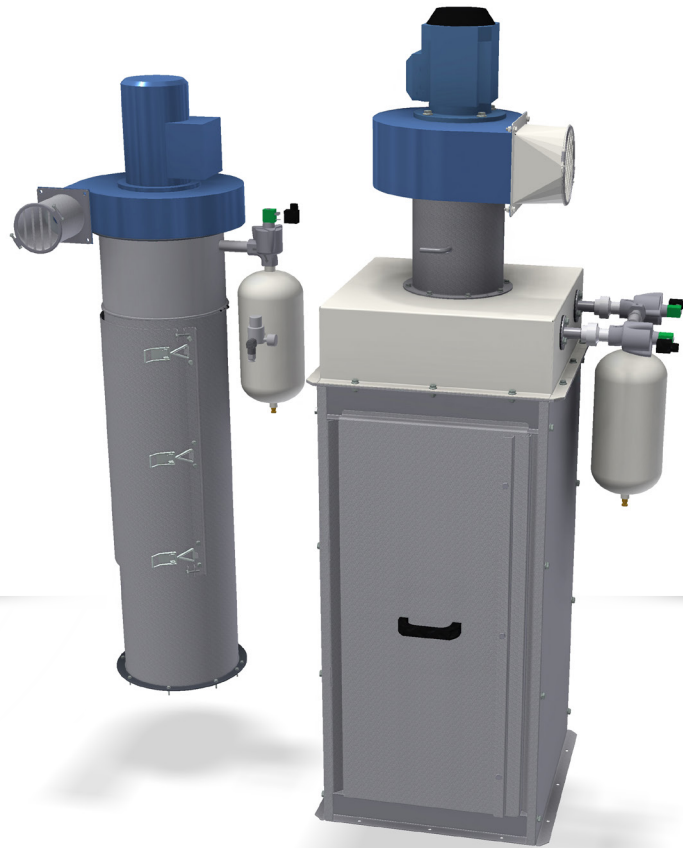




SKIOLD SELF CLEANING FILTERS

Ø300 & AF/C



SKIOLD MAKES THE DIFFERENCE!

SKIOLD SELF CLEANING FILTERS OF TYPE Ø300 & TYPE AF/C

Reduces the amount of dust in the mill

Reduces moisture level and prevents bacterial growth

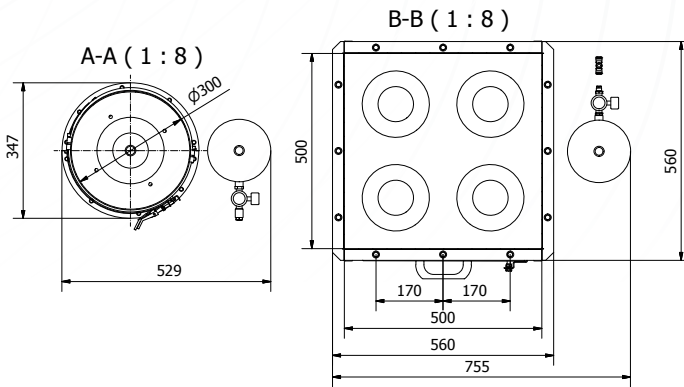
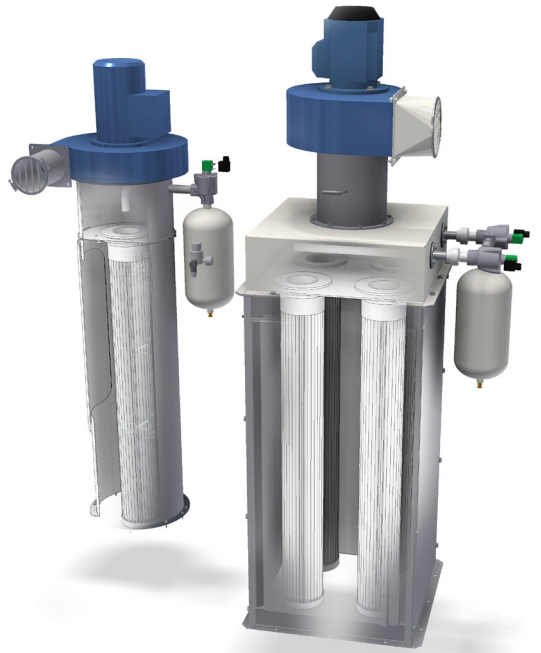
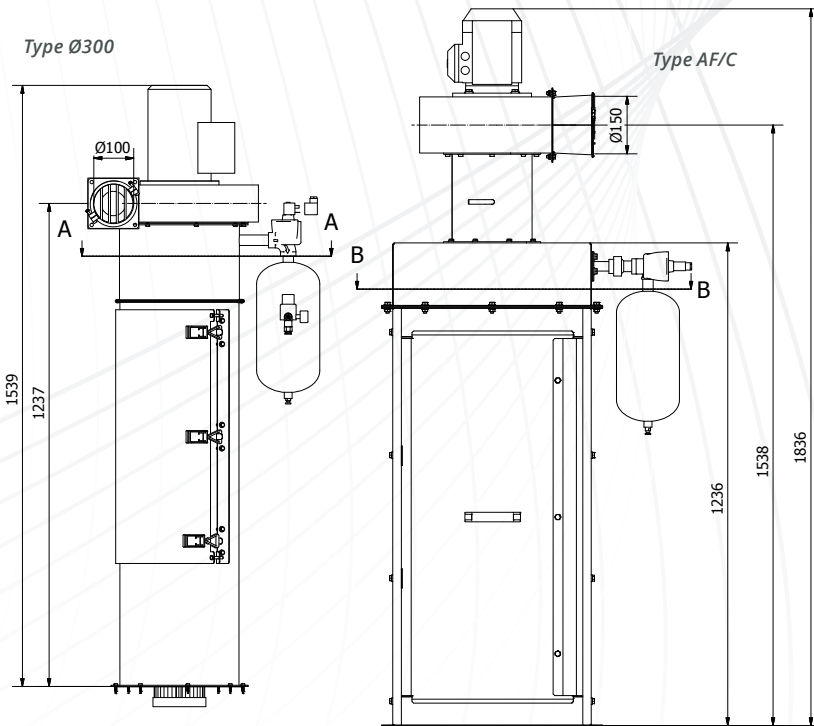
Compact design

Can be incorporated into most types of installations

Delivered assembled with pressure regulator, filter bags and flange for mounting



SKIOLD SELF CLEANING FILTERS



Max. volume

Filter incl. filter cartridges (m ³):	0,27
Transition for conveyor/elevator (m ³):	0,14

Self cleaning filter Ø300

Airflow (m ³ /h):	315	355	400	450	500	560	630	710
Static pressure (Ps) (mmH ₂ O):	179	178	178	178	178	177	175	169
Dynamic Pressure (Pd) (mmH ₂ O):	9	11	14	18	22	28	36	45

Area of filtration (m ²):	3	Recommended pressure in air feed (bar):	4-6
Recommended airflow (m ³ /h):	300	Recommended cleaning cycle (min):	5
Motor (kW):	0.75	Required compressor capacity (L/min):	10
Motor (rpm):	2800	Max. sound pressure (dba):	75
Pressure container (L):	5		

Quadruple self cleaning filter AF/C - 1 m

Airflow (m ³ /h):	800	900	1000	1120	1250	1400	1600	1800
Static pressure (Ps) (mmH ₂ O):	114	113	112	112	112	111	111	109
Dynamic Pressure (Pd) (mmH ₂ O):	7	9	12	15	19	24	31	39

Area of filtration (m ²):	12	Recommended pressure in air feed (bar):	4-6
Recommended airflow (m ³ /h):	1250	Recommended cleaning cycle (min):	5 (x 2)
Motor (kW):	1.1	Required compressor capacity (L/min):	20
Motor (rpm):	2800	Max. sound pressure (dba):	80
Pressure container (L):	5		