



SKIOLD DAMAS HAMBO



SKIOLD MAKES THE DIFFERENCE!

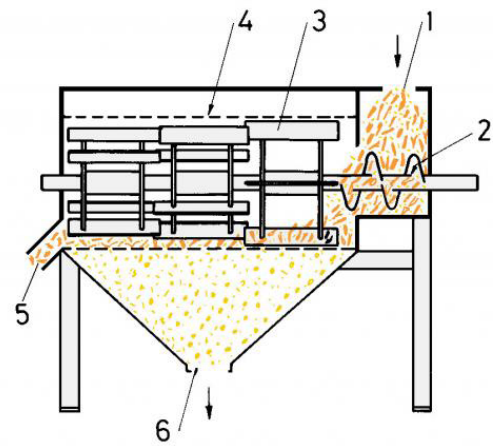


SKIOLD DAMAS HAMBO SCARIFIER

The Hambo is a solid construction, consisting of a frame and a housing of steel, a tripartite rotor with exchangeable beaters, an exchangeable scarifying basket, a driving mechanism with geared motor, and an outlet hopper of steel.

Hambo scarifier

Sturdy and efficient construction built to last



The Hambo is a solid construction, consisting of a frame and a housing of steel, a tripartite rotor with exchangeable beaters, an exchangeable scarifying basket, a driving mechanism with geared motor and an outlet hopper of steel.

Basket and beaters can be inspected and accessed through large doors in both sides of the machine. The beaters can be replaced by brushes in a special brush holder.

How it works

The material to be treated (1) is led into the scarifying basket (4) by means of the feed worm (2). Grass or clover seeds are separated from the seed coats (the capsules or the flowers), double seeds are divided and dehulling is done by means of the rotor (3). The material is then led to an outlet hole in the opposite end or through the clipper-de-awner wire mesh to the outlet hopper (6). The outlet hole (5) is provided with a weighted flap.

Specifications		D-600	D-800
Guiding capacity, normal rye grass	t/h	0.6	0.8
Scarifying basket	mm	Ø600 × 1245	Ø800 × 1245
Motor	kW	7.5	7.5
Width	mm	930	1130
Length	mm	1920	2020
Height	mm	1450	1650
Weight	kg	690	750