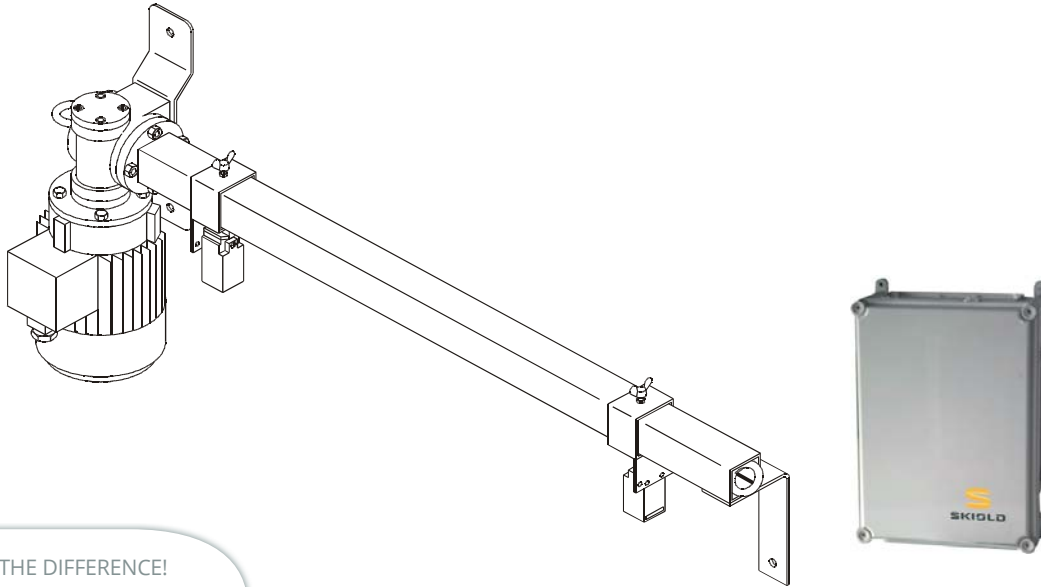




TRANSPORK COMPONENT CHANGER



SKIOLD MAKES THE DIFFERENCE!

Default delivery is with no. 1 and 5 included; no. 2-3 and 4 is optional. The spindle retractor is delivered with plugs and screws for wall mounting. The work direction, is chosen in mounting time by the order of the switches and the 400 Vac cable mount. The spindle retractor is a very powerful unit, chose a stable wall type for the mounting.

Technical information without control box:	
Measurements WxDxH:	1000x430x230mm
Shipping weight:	19 kg.
Switching speed:	app. 10 sec. per phase or 60 sec for release.
Temperature area:	4 – 50 °C
As releaser - Push - Pull:	500 kg max 100 ball type or 200 flap type.
As component changer - Push - Pull:	500 kg corresponding to max. 100 phase slides.
Activating length:	800mm total length.
Supply:	400Vac - 0,25 Kw motor.

Technical information with control box:	
Activating signals:	24 Vdc – Select position then select direction.
Feedback:	Ok signal from control box, each position OK signal. (potential free), one signal Thermic error.
Enclosure:	IP 55.

Item no.	Name
140628000020	Spindle release 2 contact comp.
140628000046	Extra contact (for 2, 3 or 4)
140628000040	Control box for Spindle releaser (Dm6000)
140601001855	Diagram and connection scheme Control box.

When ordering the Spindle releaser, the main unit is with mounting accessories, but without control box.

The control box must be ordered separately, and is only suitable for system where the control signals is 24VDC i.e. DM6000 or DistriWin.

Extra position contacts can be ordered separately, to extend the no. of positions from 2 to 3-4 or 5.

Use of Control box (DM6000):

All the control signals is 24 volt DC, and can be mounted in parallel, and all the return signals is potential free, and therefore possible to mount in serial connection, when more than one spindle releaser must be mounted on the same system.

When ordering the electric main panel of DM6000 to a system where this spindle releaser is connected, the correct configuration must be chosen:

Item no.	Name	Inputs needed	Outputs needed-24VDC
140001400814	Component changer 2 pos.	3	2
140001400813	Component changer 3 pos.	4	4
140001400812	Component changer 4 pos.	5	5
140001400811	Component changer 5 pos.	6	6