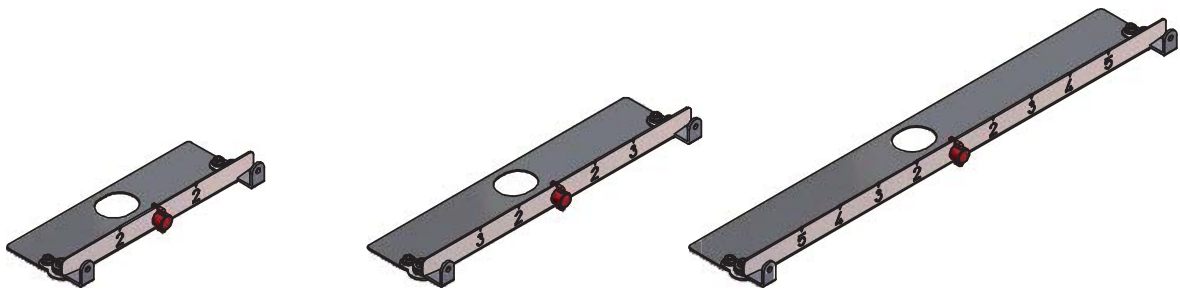




SKIOLD PHASE FEEDING SHUTTER "LF"



SKIOLD MAKES THE DIFFERENCE!

Article no.	Text	Center distance between shutter
140137000200	Complete phase feeding shutter without feed outlet, 2 phases "LF"	min. 230mm
140137000300	Complete phase feeding shutter without feed outlet, 3 phases "LF"	min. 460mm
140137000500	Complete phase feeding shutter without feed outlet, 5 phases "LF"	min. 690mm

Phase feeding shutter 140137000300 can be used for yellow and blue feed outlets as well as volume dispensers.

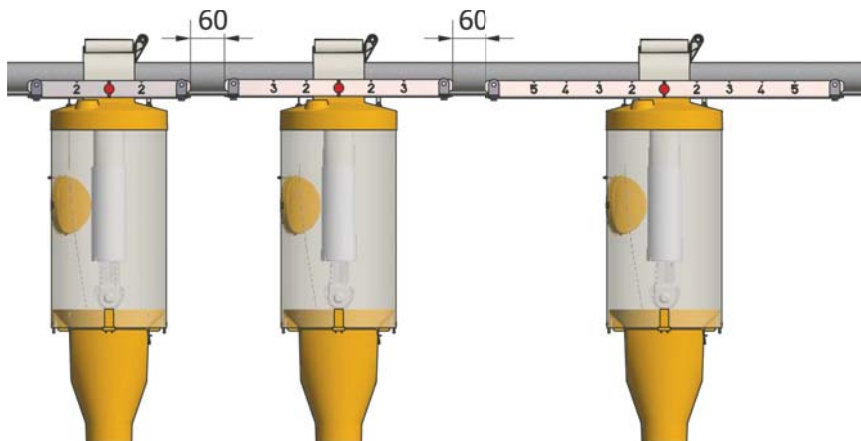
The travel between each phases is 57 mm.

Mentioned measures are minimum measures and must be observed during installation.

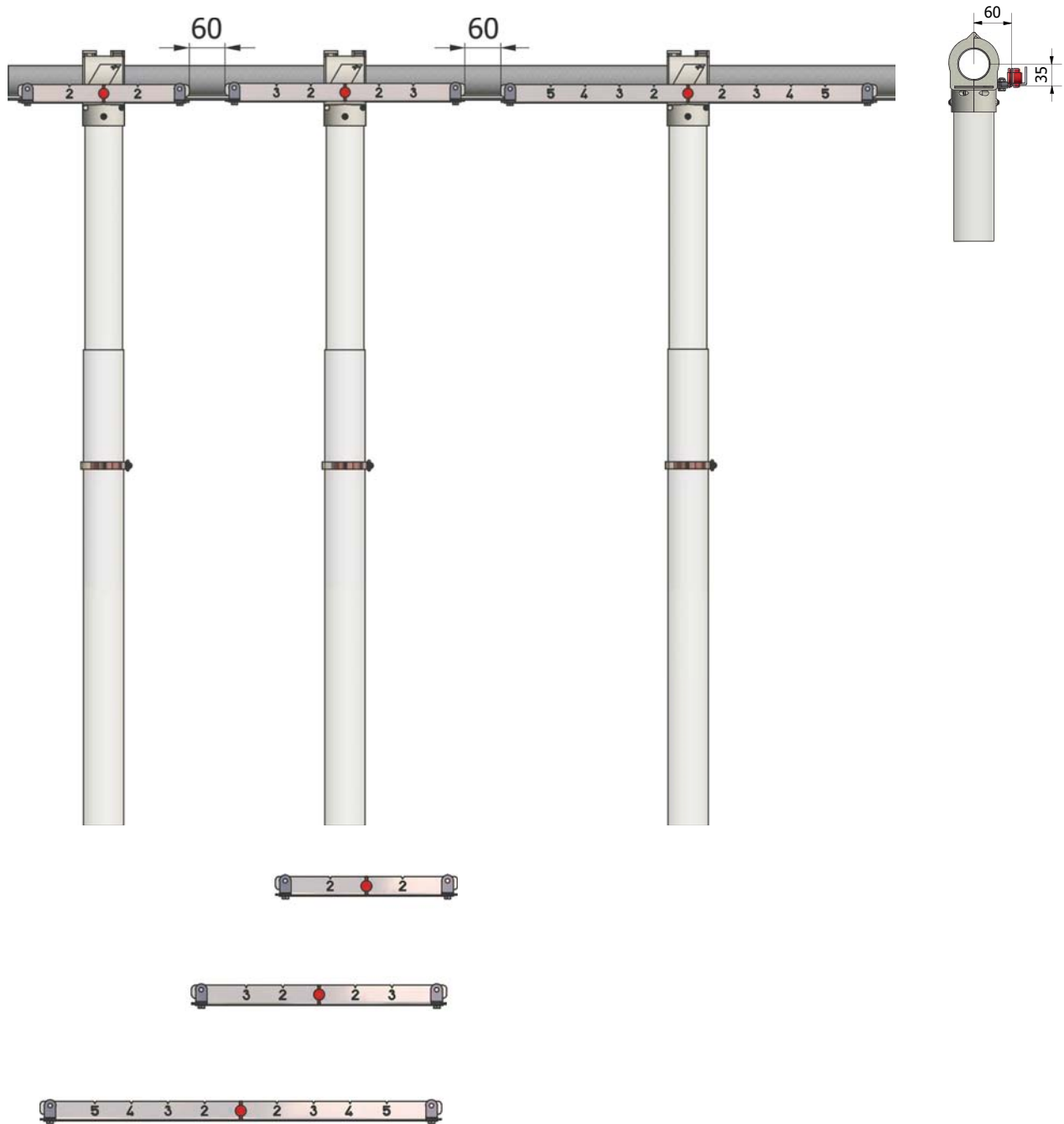
*** ATTENTION**

Minimum distance must be increased by 60mm per phase when feeding with individual mixtures.

Eg. at 2, 3 and 5 phases.



Eg. at 2, 3 and 5 phases.



Article no.	Text	Center distance between shutter
140167050820	Feed outlet for phase feeding, Ø50,8 mm, telescopic, 2 phases "LF"	min. 230mm
140167050830	Feed outlet for phase feeding, Ø50,8 mm, telescopic, 3 phases "LF"	min. 460mm
140167050850	Feed outlet for phase feeding, Ø50,8 mm, telescopic, 5 phases "LF"	min. 690mm
140167060020	Feed outlet for phase feeding, Ø60 mm, telescopic, 2 phases "LF"	min. 230mm
140167060030	Feed outlet for phase feeding, Ø60 mm, telescopic, 3 phases "LF"	min. 460mm
140167060050	Feed outlet for phase feeding, Ø60 mm, telescopic, 5 phases "LF"	min. 690mm

Phase feeding shutter 140137000300 can be used for yellow and blue feed outlets as well as volume dispensers.

The travel between each phases is 57 mm.

Mentioned measures are minimum measures and must be observed during installation.

*** ATTENTION**

Minimum distance must be increased by 60mm per phase when feeding with individual mixtures.