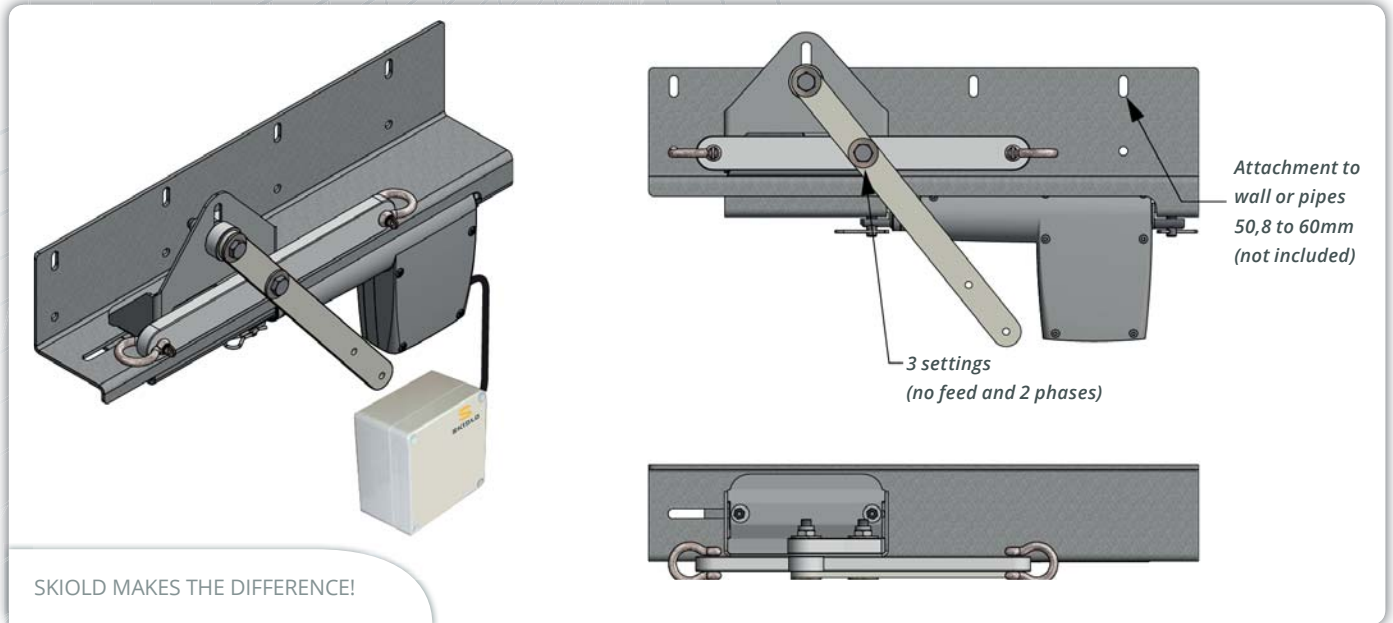




TRANSPORK QUICK SHIFT ELECTRIC 35



SKIOLD MAKES THE DIFFERENCE!

Technical information:

Measurements WxDxH	: 550 x 114 x 274 mm
Shipping weight	: 9,0 kg.
Switching speed	: 10 sec.
Temperature area	: 4 – 50 °C
Push - Pull	: 250 kg corresponding to max. 50 phase slides.
Activating Length	: 57 mm SKIOLD standard for LineFeed phase slides.
Supply	: 24 VDC / Typ. < 2,0A
Activating signals	: On connection – Unit runs in position, otherwise run into
initial	position.
Feedback	: On connection in activated state.
Enclosure	: IP 66.
Installation	: Ø60 – Ø50,8mm piping and wall mounted.
Included	: Connection box.
Turnable	: Active in / out

Technical information:

Item number	Description
140115120205	Quick Shift electric35, complete
140115120215	Connection diagrams for Quick Shift electric35
140649150260	Mounting parts for Ø60mm pipe
140649150250	Mounting parts for Ø50,8mm pipe
140649150270	Mounting parts for wall

Item number	Spare parts
140115120350	Actuator motor to Quick Shift electric35
140115120280	Connection box SK35
140259005630	Power supply

Quick Shift electric - Mounting

Quick Shift electric must always be mounted in same level as the phase slides, and the wire/solidwire must be mounted as a full circle, where the Quick Shift electric normally will be mounted on the wall or pipe somewhere on this wire circle. On the Quick Shift electric actuator, one meter of cable must connect the connection box.

