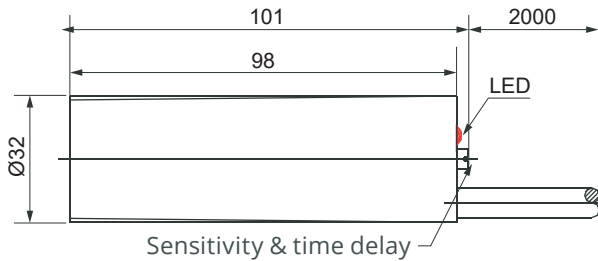
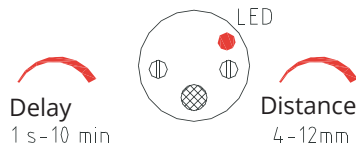




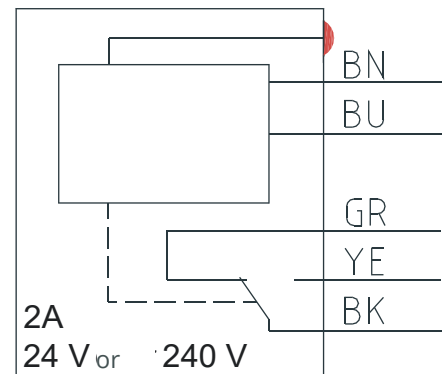
SENSORS



Adjustment



Wiring diagram:



SKIOLD MAKES THE DIFFERENCE!

All measures in mm.

Not ATEX.

Product description:

Capacitive sensor in thermoplastic polyester. Supplied with adjustable sensitivity and with a built-in time delay. The relay output ensures that the load can be connected directly.

Functional description:

VC 12RT: The supply voltage is permanently connected to the VC12RT, and when the sensor is no longer covered by feed, the system will be waiting during the set time where after it will activate the realy. Once again covered by feed, the relay is switched of again immediately. Typically used to detect the lack of feed, filling equipment, empty silo alarm, and as a safety sensor on the feeding pipe before the auger.

VC 11RT: The supply voltage is constantly connected to the VC11RT. Once the sensor has detected feed continuously for the set time, the relay will be activated. Typically used as a stop sensor on dry feeding and similar places where you want to detect the presence of feed.

Technical specifications

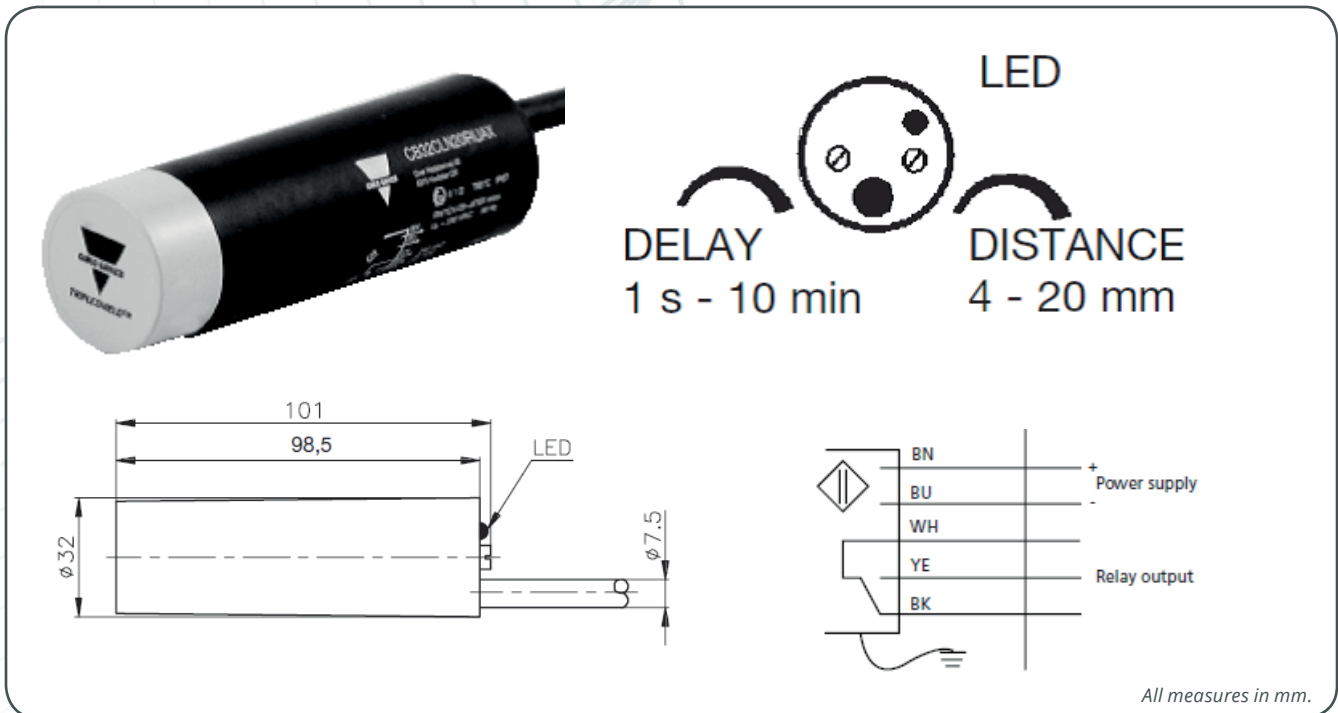
Supplu voltage: Type 230 230VAC, 47-63 Hz	Type 924 24VDC / 24VAC, 47-63 Hz
Current	Max. 1,5W
Sensing distance / Hysteresis	4-12 mm / 1,5mm ved 7mm sensing distance
Output	1 - pole relay 2A/240Vac
Indication of output „ON“	Red LED
Time delay:	1 sec. - 10min.
IP rating - operating temperature	IP 67 - operating temperature -20° to +70°C (-4° to +158°F)
Cable	2 metres PVC, grey, 5x0,75mm ² , Ø7,6mm
CE-marking	Yes
UL approval	cULus (UL508+CSA)
ATEX	No

Type	Delay on release		Delay on operate	
Voltage	Item number	Description	Item number	Description
230VAC	140601070105	VC 11RT230 10M	140601070170	VC 12RT230 10M
24VAC/DC	140601070100	VC 11RT924 10M	140601070120	VC 12RT924 10M



Sensors ATEX

CB32CLN20RUAX - CB32CLN20QUAX - CB32CLN20RVAX - CB32CLN20QVAX



ATEX.

Product description:

Capacitive sensor in thermoplastic polyester. Supplied with adjustable sensitivity and with a built-in time delay. The relay output ensures that the load can be connected directly.

Functional description:

CB32CLN20RVAX - CB32CLN20QVAX: The supply voltage is permanently connected to the VC12RT, and when the sensor is no longer covered by feed, the system will be waiting during the set time where after it will activate the relay. Once again covered by feed, the relay is switched off again immediately. Typically used to detect the lack of feed, filling equipment, empty silo alarm, and as a safety sensor on the feeding pipe before the auger.

CB32CLN20RUAX - CB32CLN20QUAX: The supply voltage is constantly connected to the VC11RT. Once the sensor has detected feed continuously for the set time, the relay will be activated. Typically used as a stop sensor on dry feeding and similar places where you want to detect the presence of feed.

Technical specifications	
Supply voltage:	
Type R 230VAC, 47-63 Hz	Type Q 24VDC / 24VAC, 47-63 Hz
Current	Max. 1,5W
Sensing distance / Hysteresis	4-20 mm / 1,5mm at 7mm sensing distance
Output	DC1: 5 ADCAVG / AC15: 2 AACrms
Indication of output „ON“	Yellow LED
Time delay	1 sec. - 10min.
IP rating - operating temperature	IP 67 – operating temperature -20° to +70°C (-4° to +158°F)
Cable	2 metres PVC
CE-marking	Yes
ATEX	Yes - ATEX zone 20, dust II 1 D T85°C IP67

Type	Delay on release		Delay on operate	
	Item number	Description	Item number	Description
230VAC	130002385025	CB32CLN20RUAX	130002385020	CB32CLN20RVAX
24VAC/DC	130002385021	CB32CLN20QUAX	130002385026	CB32CLN20QVAX