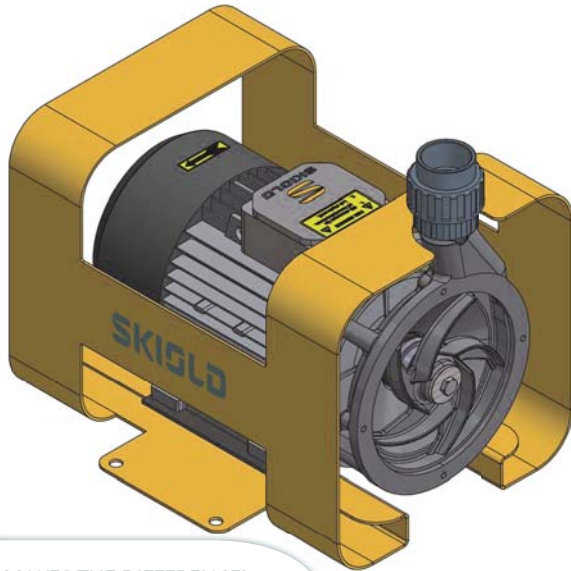




# CENTRIFUGAL PUMP SC1



SKIOLD MAKES THE DIFFERENCE!

- SKIOLD CENTRIFUGAL PUMP TYPE SC1
- 40% MORE ENERGY EFFICIENT !
- SKIOLDS new own produced centrifugal pump designated for liquid feeding of pigs, is improved in several important points.
- New high-tech material composition.
- Improved durability - extended service life - lower operating costs.

The viscosity of the liquid to be pumped, must be in a typical dilution rate, from 2.6 to 4 (liters of water per kg of dry feed, remember that some dry ingredient will obtain the water different).

The SKIOLD A/S SC1 pump is designed in hardened duplex stainless steel, for long lifetime and to be chemical resistant to normal PH range of liquid feed for pigs, typical between Ph4 and Ph7, and material and ambient temperature range from +2 °C to 40 °C.

The pump is designed to work with a positive pressure from 0.04 to 0.8 bar in front of the pump.

### Technical information:

Outlet - PVC Inside Ø50.

Inlet - Outside Ø76 for hose connection or Inside 2.5" threads.

- Motor 230/400 Vac - 50/60 hz - 5,5 Kw. - IE3 - ATEX,

- Motor 230/400 Vac - 50/60 hz - 7,5 Kw. - IE2 - NOT ATEX approved.

The complete pump is NOT ATEX approved.

Weight 45 Kg.



### Ordering information:

Pump and inlet configuration is to be ordered separately.

Outlet of the pump is in PVC to be glued to the outside of a Ø50 PN16 pipe.

The inlet is Outside Ø76, for the standard SKIOLD Tank connection hose, or Inside 2.5 inch thread, depending on the inlet solution chosen.

Pos.	Item no.	Item description	Quantity	Price unit
31	140311001001	Front SC1 with 2,5' inside threads	1	Pcs.
32	140311001002	Front SC1 with 76mm Inlet	1	Pcs.
33	140311001003	Front SC1 with Water inlet and 76mm Inlet	1	Pcs.
34	140311001004	Inlet divider with valves for 2 mixers	1	Set
35	140311001005	Inlet divider with valves for 3 mixers	1	Set
43	150323121000	SC1 Inlet connection, 2,5" / 3/4" / Ø70mm	1	Pcs.
44	150000103067	Front plate and inlet connection Ø70	1	Pcs.

When using one pump for 2 or 3 tanks, please combine pos. 32 with divider pos. 34 or 35.

### VARIANTS OF THE PUMP

SC1 variant	SKIOLD part no.	Item description
SC1-5.5-135	140311001024	Pump SC1 5,5 KW 3 x 230/400 V Ø135 mm, without front plate
SC1-5.5-160	140311001025	Pump SC1 5,5 KW 3 x 230/400 V Ø160 mm, without front plate
SC1-5.5-170	140311001023	Pump SC1 5,5 KW 3 x 230/400 V Ø170 mm, without front plate
SC1-5.5-183	140311001026	Pump SC1 5,5 KW 3 x 230/400 V Ø183 mm, without front plate
SC1-7.5-160	140311001045	Pump SC1 7,5 KW 3 x 230/400 V Ø160 mm, without front plate
SC1-7.5-170	140311001043	Pump SC1 7,5 KW 3 x 230/400 V Ø170 mm, without front plate
SC1-7.5-183	140311001046	Pump SC1 7,5 KW 3 x 230/400 V Ø183 mm, without front plate
Manual	140981003175	User manual for SC1 pump, EN

Mini pump curves – Find full curve documentation in the manual of the pump.

